

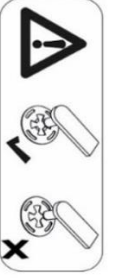


FORD CUSTOM [23+]

VW TRANSPORTER [24+]

OR-SIDEBAR

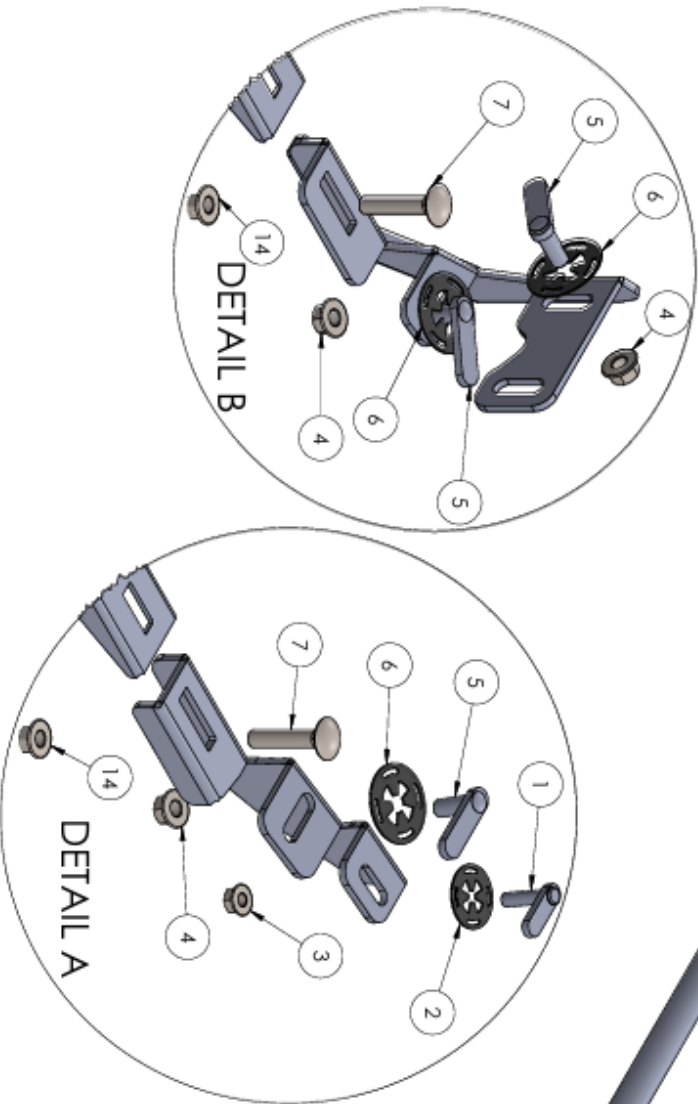
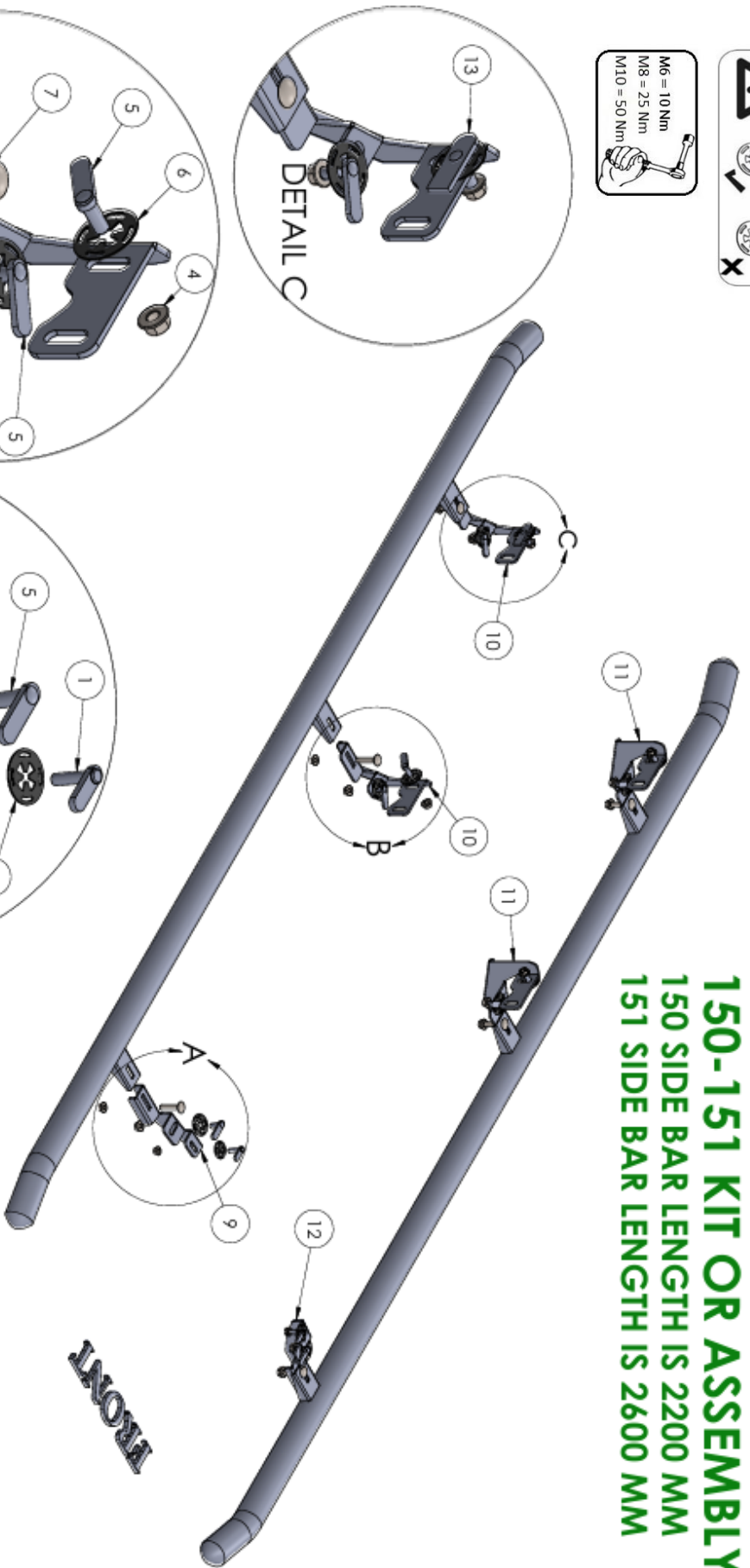
INSTALLATION GUIDE



M6 = 10 Nm
M8 = 25 Nm
M10 = 50 Nm

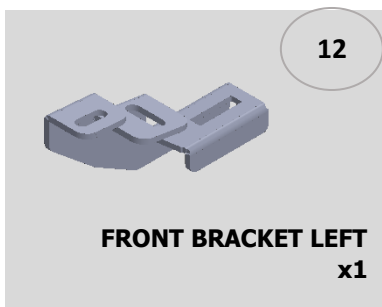
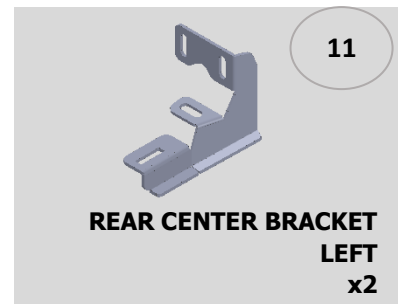
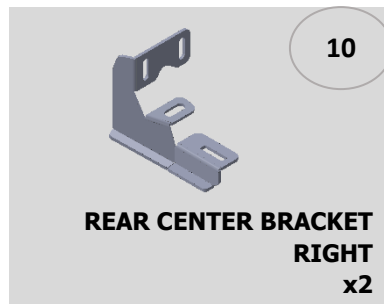
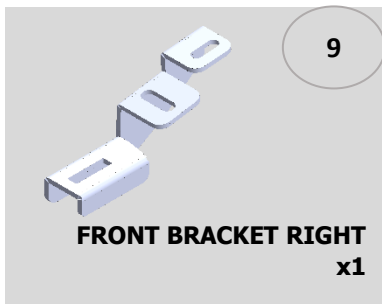
150-151 KIT OR ASSEMBLY

150 SIDE BAR LENGTH IS 2200 MM
151 SIDE BAR LENGTH IS 2600 MM

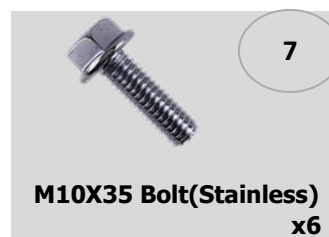
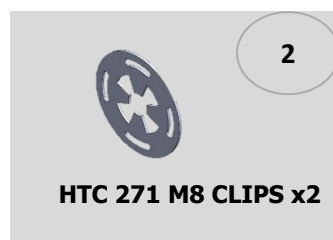


ITEM NO.	PART NAME	QNT.
1	HTC 226 - M8X30 (4X10X37)	2
2	HTC 271 - CLIPS (M8)	2
3	Hexagon Flange Nut DIN 6923 - M8 - N	2
4	Hex Flange Nut DIN 6923 - M10	10
5	HTC 243 - M10x25(4x12x50)	8
6	HTC 269 - CLIPS (M10)	10
7	ISO 8677-M10x35 (STAINLESS)	6
9	150-151 KIT OR Front bracket Right	1
10	150-151 KIT OR Rear-Center bracket Right	2
11	150-151 KIT OR Rear-Center bracket Left	2
12	150-151 KIT OR Front bracket Left	1
13	HTC 238 - M10x25(4x20x60)	2
14	Hex Flange Nut DIN 6923 - M10 (STAINLESS)	6

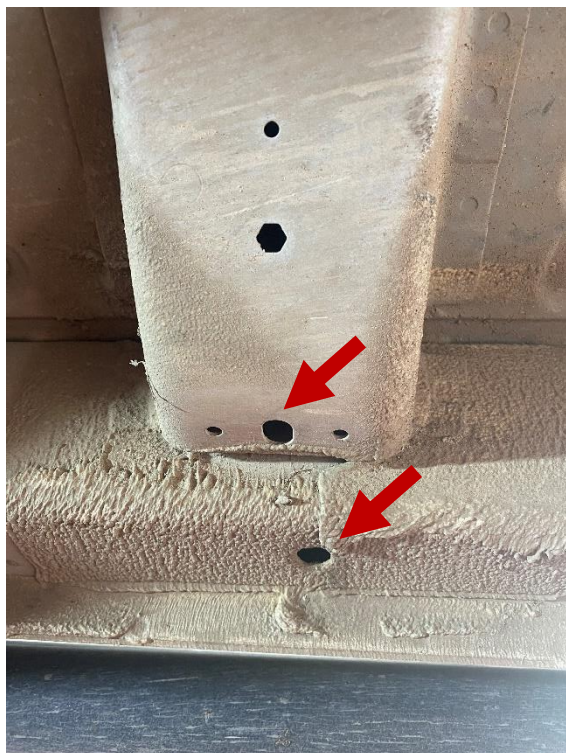
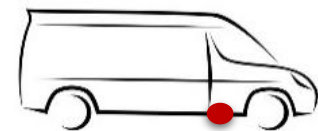
Box Contents



Hardware



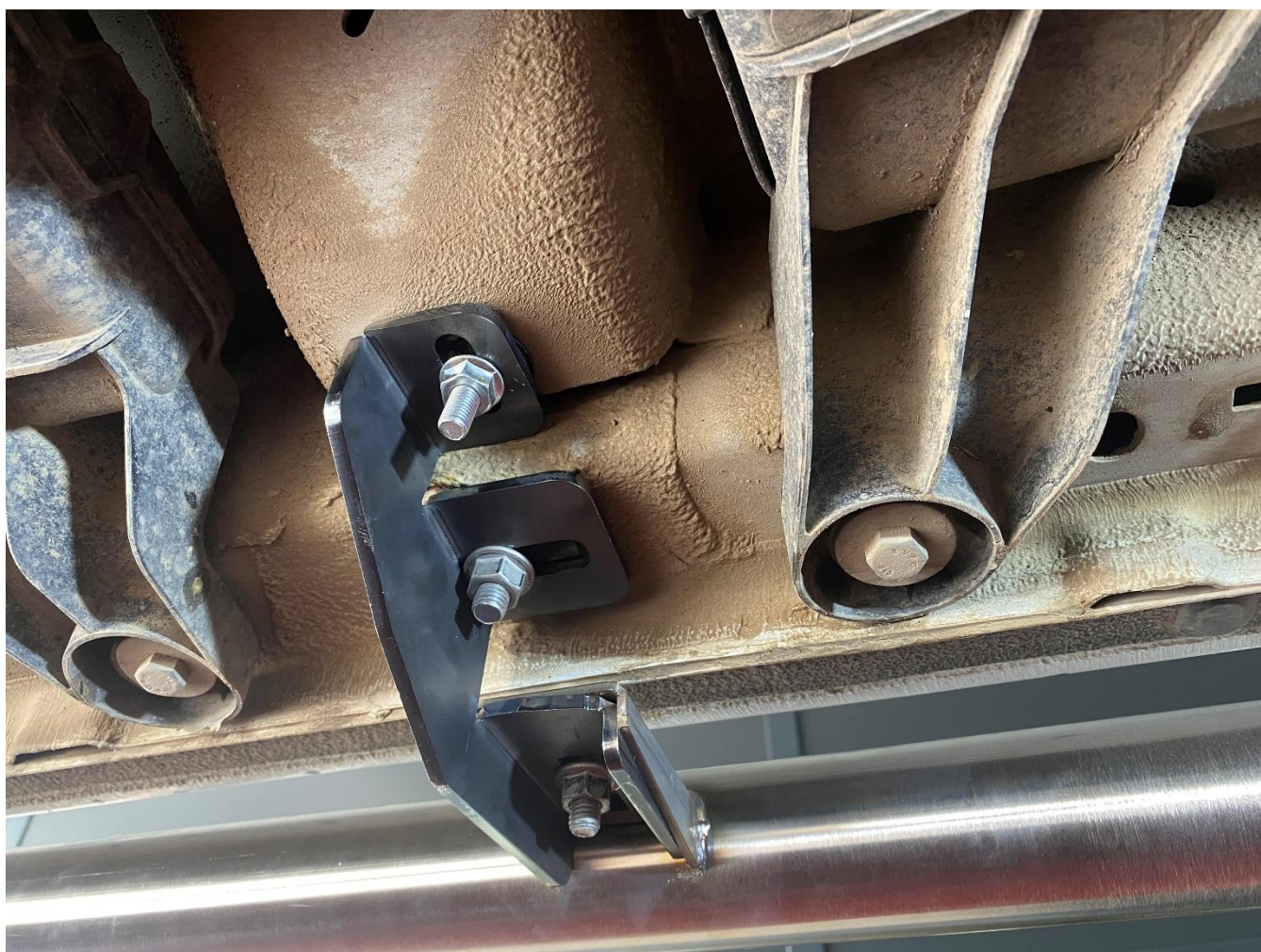
Brackets Assembly



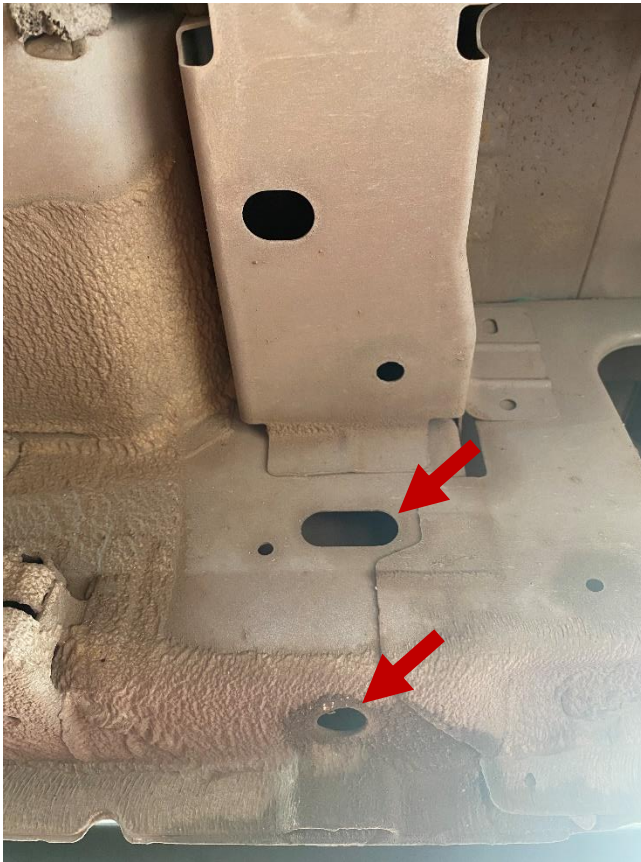
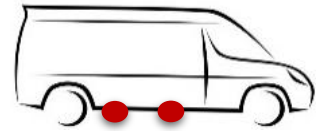
Use HTC 226 + HTC 243 with clips and put in the mounting holes.

Then place the front bracket as shown in the picture and lightly tighten it with M10 and M8 nuts.

After adjusting the bracket and sidebar to the appropriate position, tighten the square lock bolt and nut with the appropriate torque.



Brackets Assembly



Use HTC 238 + HTC 243 with clips and put in the mounting holes.

Then place the rear and center brackets as shown in the picture and lightly tighten it with M10 nuts.

After adjusting the bracket and sidebar to the appropriate position, tighten the square lock bolt and nut with the appropriate torque.

