

ruwe®



DUCATO 24+

191-192-193 KIT OR SIDEBAR

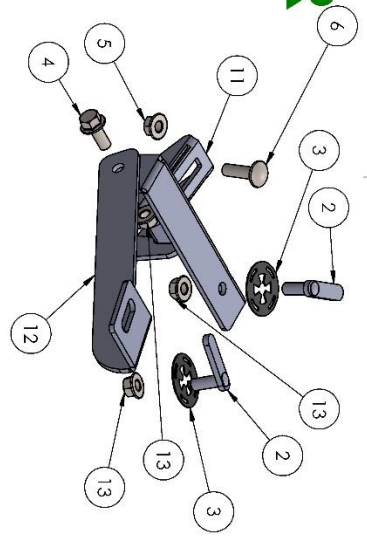
MOUNTING INSTRUCTION



60 dk. / min.

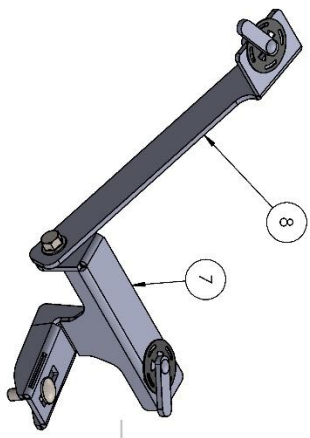
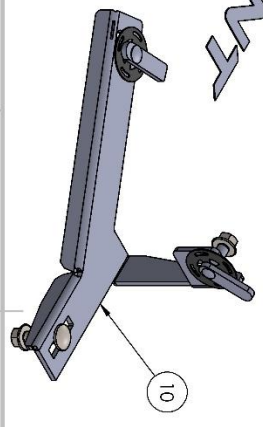
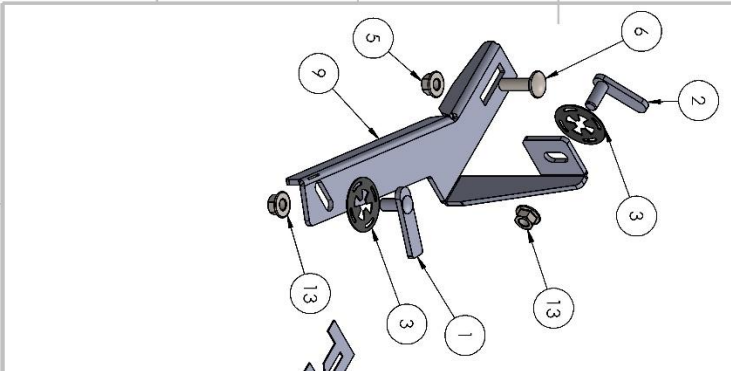
T.Drawing

191-192-193 KIT OR



ITEM NO.	PART NAME	QNT.
1	HTC 232 - M10x20	2
2	HTC 243 - M10x25(4x12x50)	6
3	HTC 269 - Clips (M10)	8
4	M10x25 FLANGE BOLT	2
5	M10 FLANGE NUT (STAINLESS)	4
6	ISO 8678-M10x35-28-C (STAINLESS)	4
7	191-.192-.193 KIT OR REAR LEFT-1	1
8	191-.192-.193 KIT OR REAR LEFT-2	1
9	191-.192-.193 KIT OR FRONT RIGHT	1
10	191-.192-.193 KIT OR FRONT LEFT	1
11	191-.192-.193 KIT OR REAR RIGHT-1	1
12	191-.192-.193 KIT OR REAR RIGHT-2	1
13	M10 FLANGE NUT (NORMAL)	10

FRONT

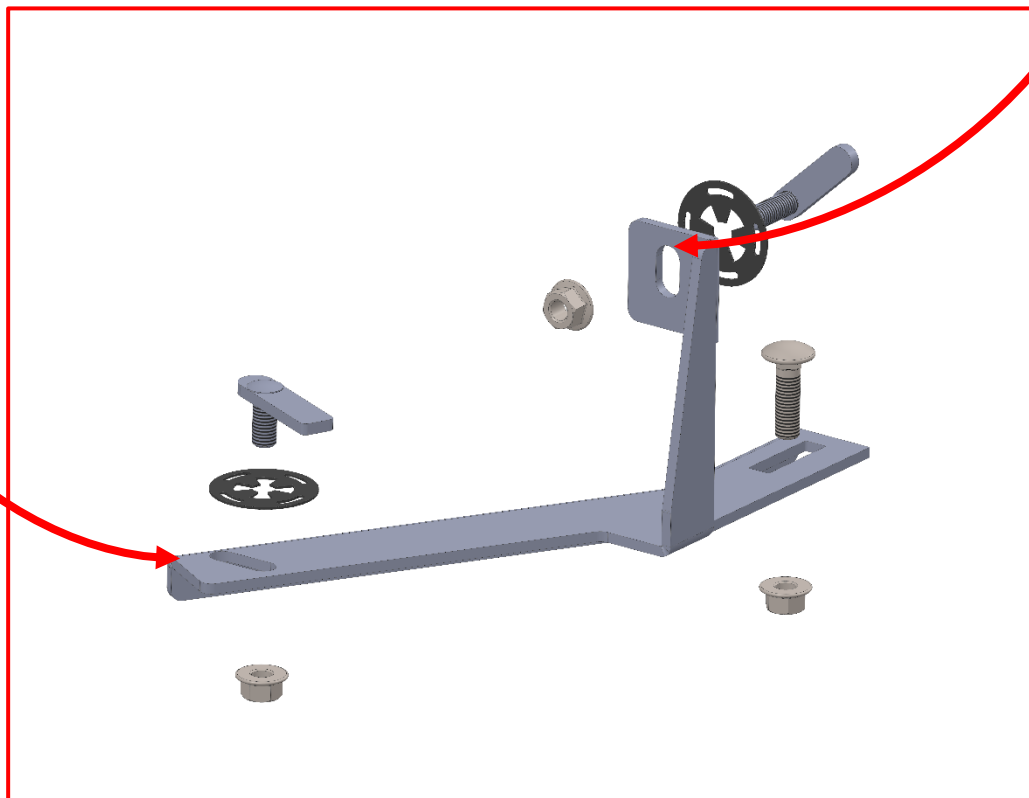


Bracket Assembly

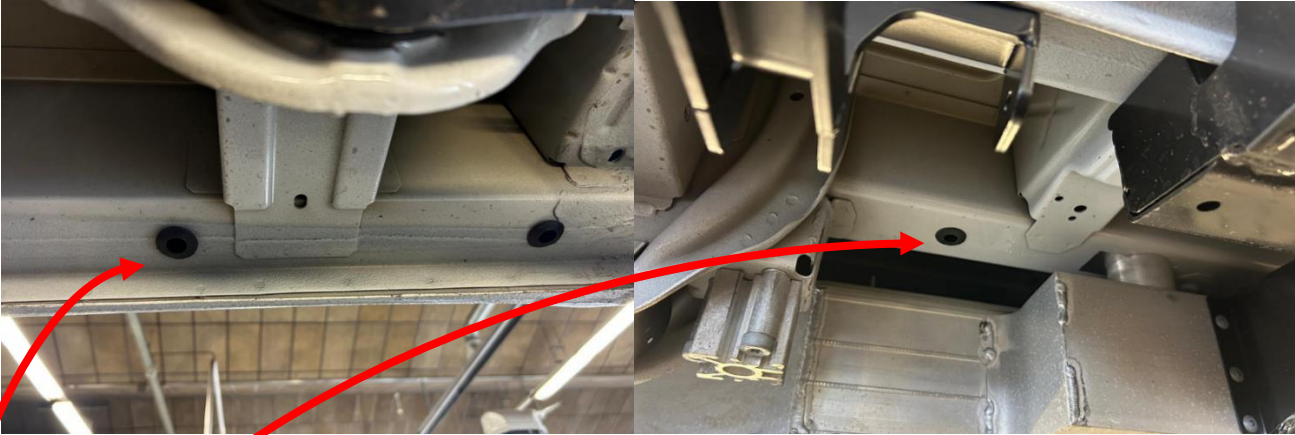
FRONT BRACKETS



The front bracket connection point is as shown in the figure. Below are the HTC, bolts and nuts used for bracket connection.



REAR BRACKETS



The rear bracket connection point is as shown in the figure. Below are the HTC, bolts and nuts used for bracket connection.

