

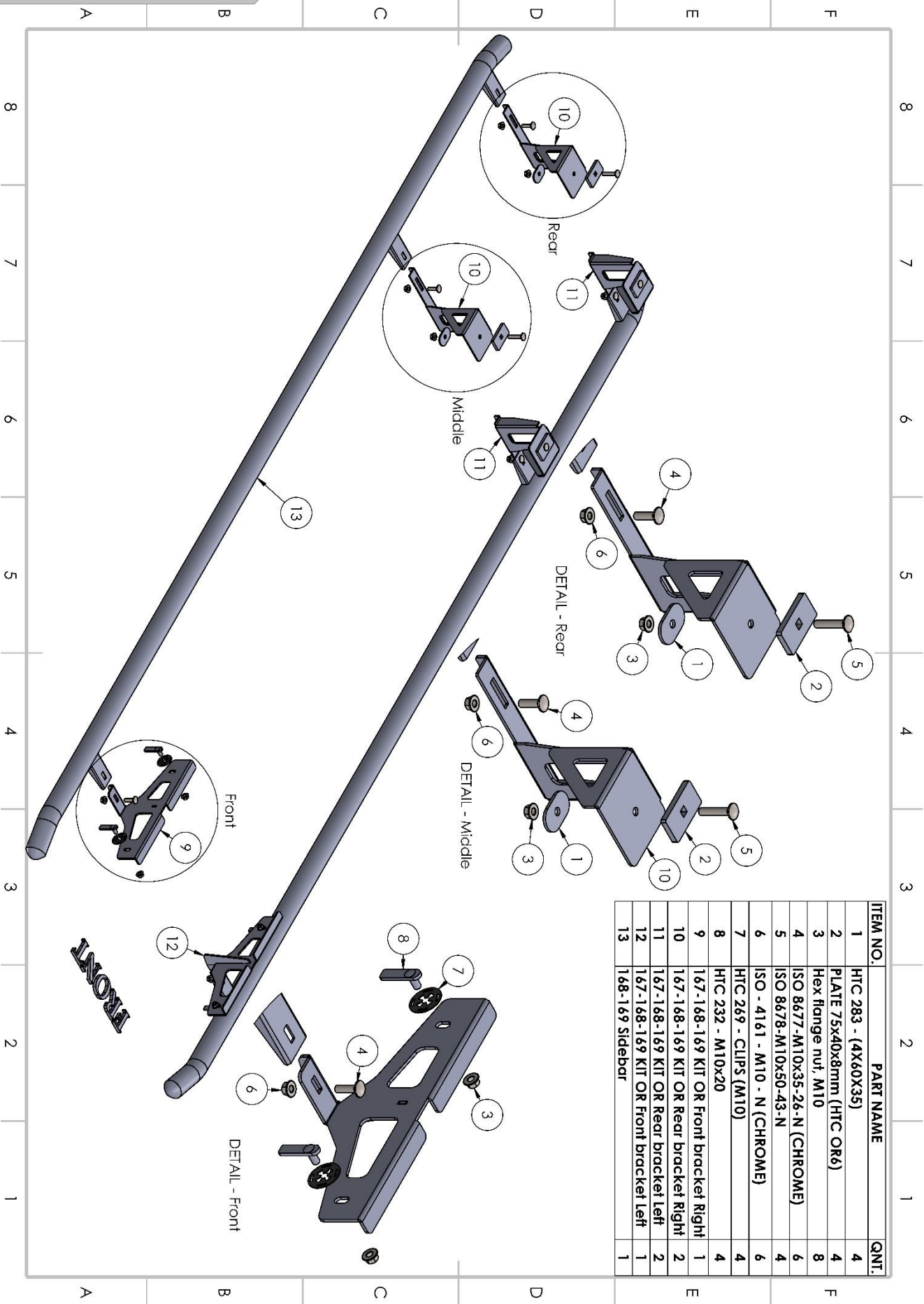


**Mercedes Benz(E)Sprinter RWD + 4x4**

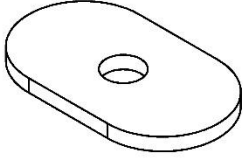
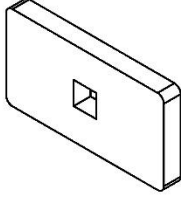
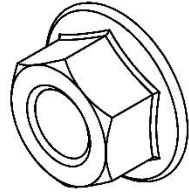
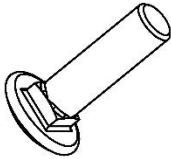
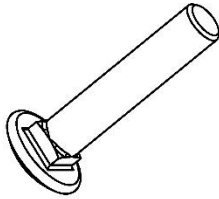
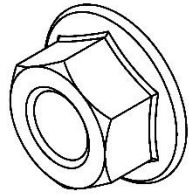
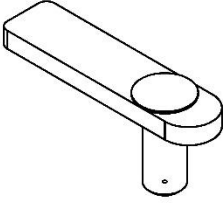

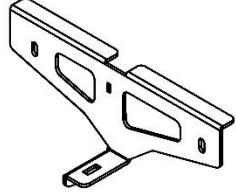
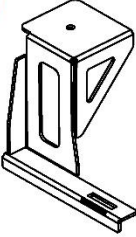
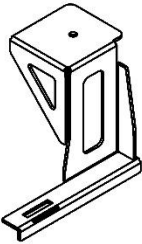
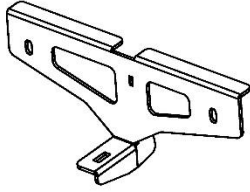
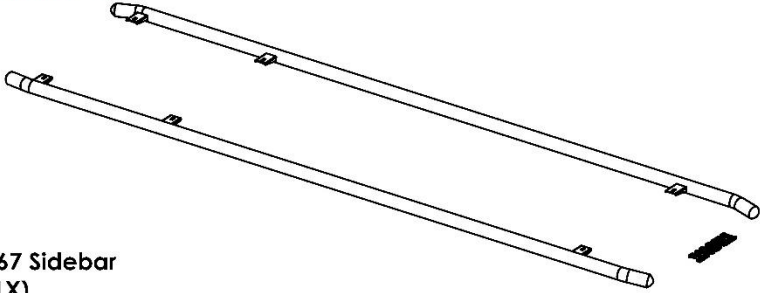
**168-169 KIT-OR Sidebars WB 4032**

**INSTALLATION GUIDE**

# STEPS



ITEM NO.	PART NAME	QNT.
1	HTC 283 - (4X60X35)	4
2	PLATE 75x40x8mm (HTC OR6)	4
3	Hex flange nut, M10	8
4	ISO 8677-M10x35-26-N (CHROME)	6
5	ISO 8678-M10x50-43-N	4
6	ISO - 4161 - M10 - N (CHROME)	6
7	HTC 269 - CLIPS (M10)	4
8	HTC 232 - M10x20	4
9	167-168-169 KIT OR Front bracket Right	1
10	167-168-169 KIT OR Rear bracket Right	2
11	167-168-169 KIT OR Rear bracket Left	2
12	167-168-169 KIT OR Front bracket Left	1
13	168-169 Sidebar	1

	A	B	C	D	E	F
1	<p><b>ITEM NO = 01</b></p>  <p>HTC 283 - (4X60X35) (4X)</p>		<p><b>ITEM NO = 02</b></p>  <p>PLATE 75x40x8mm (HTC OR6) (4X)</p>		<p><b>ITEM NO = 03</b></p>  <p>Hex flange nut, M10 (8X)</p>	
2	<p><b>ITEM NO = 04</b></p>  <p>ISO 8677-M10x35-26-N (CHROME) (6X)</p>		<p><b>ITEM NO = 05</b></p>  <p>ISO 8677-M10x50-26-N (4X)</p>		<p><b>ITEM NO = 06</b></p>  <p>ISO - 4161 - M10 - N (CHROME) (6X)</p>	
3	<p><b>ITEM NO = 07</b></p>  <p>HTC 232 - M10x20 (4X)</p>		<p><b>ITEM NO = 08</b></p>  <p>HTC 269 - CLIPS (M10) (4X)</p>		<p><b>ITEM NO = 09</b></p>  <p>167-168-169 KIT OR Front bracket Right (1X)</p>	
4	<p><b>ITEM NO = 10</b></p>  <p>167-168-169 KIT OR Rear bracket Right (2X)</p>		<p><b>ITEM NO = 11</b></p>  <p>167-168-169 KIT OR Rear bracket Left (2X)</p>		<p><b>ITEM NO = 12</b></p>  <p>167-168-169 KIT OR Front bracket Left (1X)</p>	
5	<p><b>ITEM NO = 13</b></p>  <p>167 Sidebar (1X)</p>					
6						
7						
8						

**Front Brackets > Use HTC's and nuts for connections.**



**Rear and Middle Brackets > Use HTC's , bolts and nuts for connections.**

